

PMS2214



Intel® 7th Gen. Core™ High Performance
21.5" True-Flat Panel PC with FanÁ



Features



- Intel® 7th Gen. Core™ i7 / i5 / i3 / Celeron®
- 2 x DDR4 2133MHz SO-DIMM memory up to 32GB
- 2 x 2.5" SATA III SSD with Software RAID 0,1 (Q170) / without Software RAID 0,1 (H110)
- 1 x Mini PCIe slot & 1 x PCIe (x16) slot
- 2 x GbE LAN, support Wake-On-LAN, PXE
- AC input ATX 250W
- Front panel IP65 protection
- Removable HDD / SSD Drive Bay

Specifications



System

CPU Support	Core™ i7-7700T, Quad Core, 2.9GHz, 8M cache Core™ i5-7500T, Quad Core, 2.7GHz, 6M cache Core™ i3-7101TE, Dual Core, 3.4GHz, 3M cache Celeron® G3930TE, Dual Core, 2.7GHz, 2M cache
Chipset	Intel® Q170/H110
Memory Support	2 x DDR4 2133MHz SO-DIMM sockets (up to 32GB)
Watchdog	1~255 seconds watchdog timer selectable
Storage	2 x 2.5" SATA III HDD/SSD (support RAID 0/1 in Q170 SKU only)
Front Bezel	Stainless steel
IP65	Yes (for front panel only)
Power Input	AC input ATX 250W
Operating System	Windows 10 IoT Enterprise (64bit)
Dimensions	585 x 377 x 107.15 mm (W x H x D)
System Weight	11.8 kg
Mounting Support	Wall mount / VESA 75 / VESA 100 / Panel mount
Certifications	FCC / CE

Display

LCD	21.5" TFT LCD (LED) resolution FHD (16:9) 1920 x 1080
Touchscreen	Projected capacitive touchscreen (USB interface)

Applications

- Automation
- Information

I/O Ports

Display	2 x DVI-D
USB	4 x USB 3.0 4 x USB 2.0
Audio	1 x Line In / 1 x Line Out / 1 x Mic In
LAN	2 x RJ45 ports LAN 1: Intel® PHY I219LM (10/100/1000 Mbps) LAN 2: Intel® LAN 210AT (10/100/1000 Mbps) Support Wake-On-LAN, PXE
Serial Ports	4 COM ports COM 1 for RS-232/422/485 COM 2/COM 3/COM 4 for RS-232 COM 1/COM 2/COM 4 support +5V/+12V/RI selectable
Expansion Slots	1 x PCIe (x16) 1 x half-sized Mini PCIe
Antenna Hole	2 x antenna holes
Power On/Off	1 x power button switch 1 x 2 pin connector for remote power button
Parallel Port	1 x parallel port (SPP/EPP/ECP)

Environment

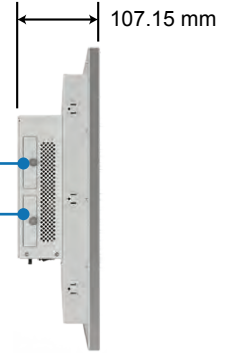
Operating Temp.	HDD: 0°C~45°C (32°F~113°F) (Ambient with airflow) SSD: 0°C~50°C (32°F~122°F)
Storage Temp.	-20°C~80°C (-4°F~176°F)
Humidity	20%~90% RH (no condensation)

Highlights

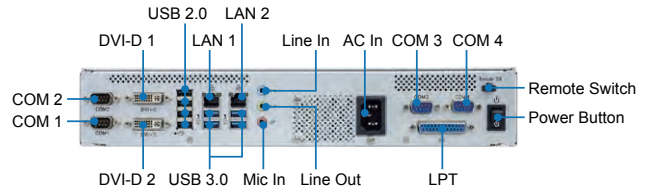
1 x mini PCIe



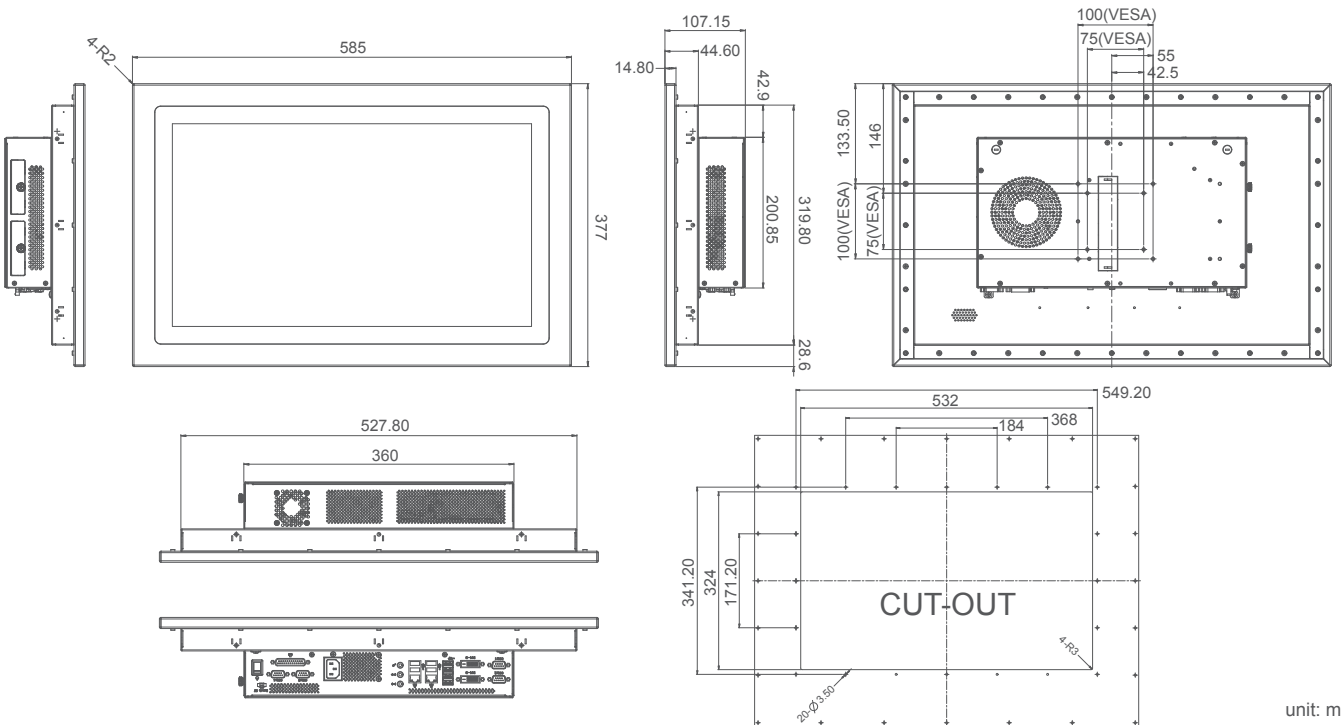
2 x Removable
HDD/SSD



I/O Panel View



Dimensions



unit: mm