

uIBX-250-BW

Ultra Compact Size

New

Features

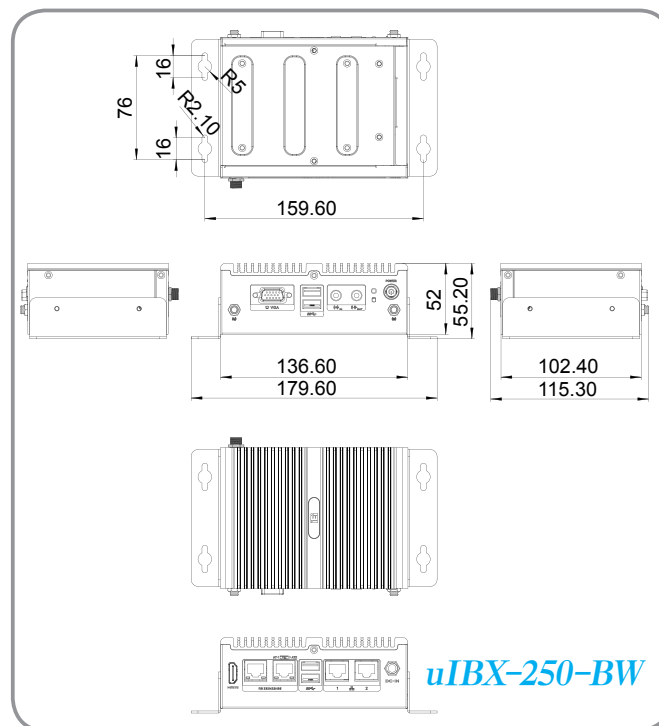
- Fanless system with Intel® Celeron® N3160 processor
- Dual display
- Two RS-232/422/485
- Full-size PCIe Mini slot for expansion
- Four USB 3.0 ports
- Two GbE LAN ports



Specifications

Model Name		uIBX-250-BW
Chassis	Color	Black
	Dimensions (WxDxH) (mm)	136.6 x 102.4 x 52
	System Fan	Fanless
	Chassis Construction	Extruded aluminum alloy
Motherboard	CPU	Intel® Celeron® N3160 (up to 2.24 GHz, quad-core, 2 MB cache, TDP=6W)
	Chipset	SoC
	System Memory	1 x 204-pin DDR3L 1.35 V SO-DIMM (system max: 8 GB) Pre-installed 2 GB
Storage	Hard Drive	1 x 2.5" SATA 6Gb/s HDD/SSD bay
I/O Interfaces	USB 3.0	4
	Ethernet	2 x RJ-45 PCIe GbE by Intel® I211 controller
	RS-422/485	2 x RJ-45 RS-232/422/485
	Button	1 x Power button, 1 x AT/ATX switch
	Display	1 x HDMI, 1 x VGA
	Resolution	HDMI: 3840 x 2160@30MHz VGA: 1920 x 1200@60Hz
	Audio	1 x Line-out, 1 x Mic-in
	Other	HDD LED
	Expansions	PCIe Mini
Power	Power Input	DC Jack: 12 V DC
	Power Consumption	12V @ 2A (Intel® Celeron® N3160 with 2 GB memory)
Reliability	Mounting	Wall mount, VESA 75
	Operating Temperature	-20°C ~60°C with air flow (SSD), 10% ~ 95%, non-condensing
	Operating Shock	Half-sine wave shock 5G, 11ms, 3 shocks per axis
	Operating Vibration	MIL-STD-810F 514.5 C-1(HDD), MIL-STD-810F 514.5 C-2(SSD)
	Weight (Net/Gross)	470 g/1.4 kg
	Safety/EMC	CE/FCC
OS	Supported OS	Microsoft® Windows 8, Microsoft® Embedded Standard 7 E

Dimensions (Unit: mm)



Ordering Information

Part No.	Description
uIBX-250-BW-N3/2G-R10	Fanless embedded system with Intel® Celeron® N3160 1.6 GHz, (up to 2.24 GHz, quad core, TDP 6 W), 2 GB DDR3L pre-installed memory, 12 V DC, with RS-232/422/485, USB 3.0, VGA/HDMI, dual Intel® PCIe GbE, RoHS

Options

Part No.	Description
uIBX-250-WES7E64-R10	1T1R wifi module kit for embedded system , IEEE802.11b/g/n, 1 x Wi-Fi module, 2 x RF cable , 2 x Antenna; RoHS
EMB-WIFI-KIT01-R11	OS Image with Windows® Embedded Standard 7 E 64-bit for uIBX-250, DVD-ROM, RoHS

Packing List

1 x Utility CD	1 x Power Adapter	1 x Mounting Bracket
----------------	-------------------	----------------------

1

IEIMobile Solutions

2

Automation Panel Solutions

3

Healthcare Panel PC Solution

4

Industrial System

5

ORing Network Communication

6

Automation Control

7

Optional Peripherals