

IPC970 NEW

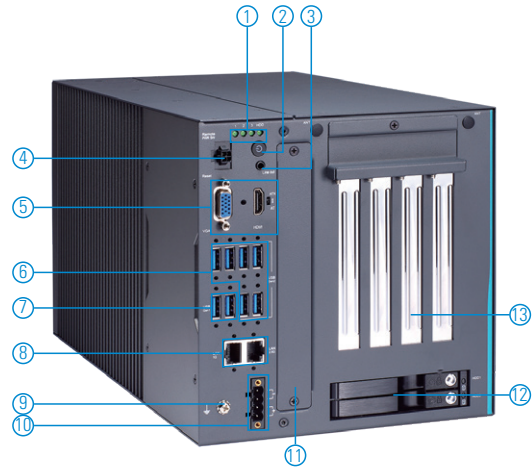
Industrial System with LGA1200 Socket 10th Gen Intel® Xeon® or Core™ i7/i5/i3 Processor, Intel® W480E, Front-access I/O, and PCIe Slots

Features

- 10th Gen Intel® Xeon® or Core™ i7/i5/i3 processor, up to 80W
- Intel® W480E chipset
- Supports NVIDIA® GeForce RTX 3090 graphics card
- Supports M.2 Key B slot for 5G wireless connection
- Supports M.2 Key E slot for Wi-Fi connection
- Supports power-on delay function
- Supports TPM 2.0
- Supports Intel® AMT



▲ Rear view



1. 1 x HDD/SSD access LED & 3 x user's LED
2. Power on/off button w/LED
3. Line-out
4. Remote power switch & reset switch
5. VGA, HDMI & AT/ATX selectable switch
6. 6 x USB 3.2 Gen.2
7. 2 x USB 3.2 Gen.1
8. 2 x LAN
9. Ground terminal
10. 4-pin terminal block
11. Flexible system I/O window
 - (1) AX93511
 - (2) AX93512
 - (3) AX93516
 - (4) AX93519
 - (5) Blank I/O cover
12. 2 x 2.5" SSD/HDD bay
13. Expansion slots



Specifications

Standard Color	Sliver black	
Construction	Aluminum extrusion heavy-duty cold-rolled steel	
Processor System	CPU Level	10th Gen Intel® Xeon® and Core™ i7/i5/i3 processors (Cometlake-S), up to 80W*
	Chipset	Intel® W480E
System Memory	4 x DDR4-2933 MT/s ECC or non ECC U-DIMM socket, up to 128GB	
System I/O	Ethernet	1 x Intel® 2.5 Gigabit LAN (Intel® I225-LM) 1 x Intel® Gigabit LAN (Intel® I219-LM)
	USB	6 x USB 3.2 Gen.2 (10G) 2 x USB 3.2 Gen.1 1 x USB 2.0 (internal, 180D type A for license key)
	Display	1 x VGA 1920 x 1200 resolution 1 x HDMI 4096 x 2304 @30Hz
	Audio	1 x Line-out
	Others	1 x Power on/off button with LED (ATX) 1 x Remote power switch 1 x AT/ATX selectable switch (default ATX mode) 1 x 4-pin terminal block
	Flexible System I/O window	AX93511
	AX93512	2 x RS-232/422/485 with isolated 1.5kVDC & 8-in/8-out with isolated 1.5kVDC DIO module
	AX93516	4 x RS-232/422/485 with isolated 2kVDC module
	AX93519	1 x 10/100/1000 Mbps (Intel® I211-AT) Ethernet, 2 x RS-232/422/485 and 2 x USB 3.0 (USB 2.0 signal) module
	Blank I/O cover	
TPM	TPM 2.0	

Expansion Interface	Slot 1-2: PCIe x8 (x4 signal)
	Slot 3: PCIe x16
	Slot 4: blank
	1 x Full-size PCI Express Mini Card slot with SIM slot (USB & PCIe interface) 1 x M.2 Key E 2234 socket 1 x M.2 Key B 3042/3050 socket with SIM slot
Storage	2 x SSD/HDD drive bay (7/9.5mm height, external) 1 x SSD/HDD drive bay (optional, 7/9.5/15mm height, internal) (supports RAID 0,1) 1 x M.2 Key M 2280 socket (PCIe Gen3 x4) for NVMe SSD
	System Indicators
Power Input	Type: ATX/AT Input: 24 VDC (uMin=19V/uMax=30V)
Operating Temperature	-10°C to +60°C (+14°F up to +140°F) with W.T. HDD/SSD*
Storage Temperature	-20°C to +80°C (-4°F to +176°F)
Humidity	10% to 90%, non-condensing
Dimensions	190 mm (7.48") (W) x 192 mm (7.55") (H) x 360 mm (14.17") (D)
Weight (net/gross)	9.8 kg/7.3 kg
Certifications	CE
EOS Support	Windows 10, Linux
Software Support	AXView

*Please refer to the user's manual for the system CPU support list and the system operating temperature list.

Ordering Information

System

IPC970-10W-F5E1A (P/N: E26G970102)	Industrial system with Intel® W480 PCH, blank flexible I/O cover, and 3 PCIe slots, w/o Axiomtek logo
---------------------------------------	---

Flexible System I/O Module

AX93511 (P/N: 8816G974EA0E)	4 x RS-232/422/485 module (default RS-232)
AX93512 (P/N: 8816G974FA0E)	2 x RS-232/422/485 with isolated 1.5kVDC & 8-in/8-out with isolated 1.5kVDC DIO module
AX93516 (P/N: 8816G974GA0E)	4 x RS-232/422/485 with isolated 2kVDC module
AX93519 (P/N: 8816G974HA0E)	1 x 10/100/1000 Mbps (Intel® I211-AT) Ethernet, 2 x RS-232/422/485 & 2 x USB 3.0 (USB 2.0 signal) module

Optional Accessory

2.5" SATA HDD/SSD	
DDR4-2933 MT/s ECC or non ECC U-DIMM	
8816G9702A0E	External fan module kit
8816G9704A0E	Wall mount bracket kit
8816G9703A0E	Internal SSD/HDD bracket kit
886G9701CA0E	Memory holder bracket

Power Protection

DC Version

OVP (over voltage protection)
OCP (over current protection)
Reverse Protection

Packing List

- 1 x IPC970 unit
- 1 x Screw pack
- 4 x Foot pad
- 1 x CPU grease
- 1 x Terminal block
- 1 x Remote power switch cable
- 1 x Extension holder bracket kit
- 1 x HDD spacer
- 2 x graphics card power cable
- 1 x NVMe SSD bracket kit

Dimensions

